

LEAD FREE FORGED BRASS BALL VALVE

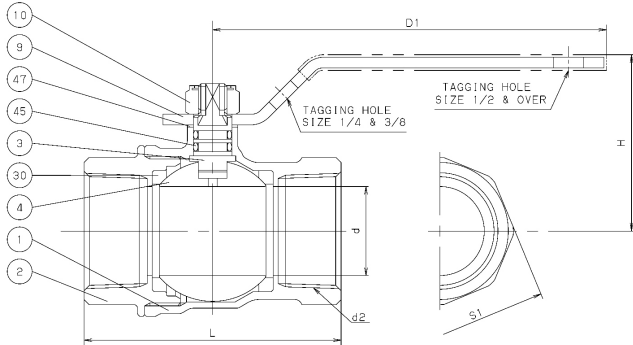
MAINTENANCE FREE DOUBLE O-RING STEM SEALS

Two Piece Body • Full Port • Vented Ball

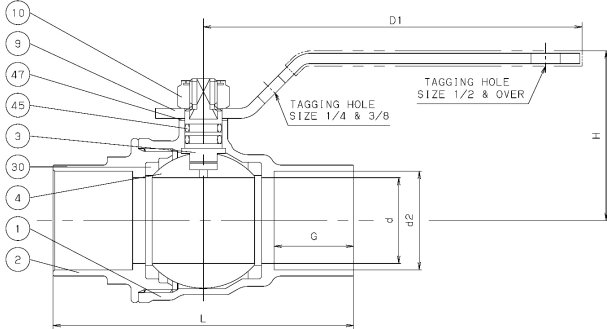
Blowout Proof Stem • PTFE Seats

NSF

858 (AKSZAN) THREADED (1/4"-2")



859 (CSZAN) SOLDER (3/8"-2")



Note - Also available with wing handle.
Threaded - 858W • Solder - 859W

STANDARDS

| | |
|-------------------|--------------|
| END TO END | KITZ |
| THREADED ENDS | ANSI B1.20.1 |
| SOLDER JOINT ENDS | ANSI B16.18 |
| WALL THICKNESS | KITZ |
| DESIGN | MSS SP-110 |

PRESSURE/TEMPERATURE

600 PSI COLD WORKING PRESSURE

MATERIAL LIST

C49300 - LEAD FREE BRASS

| NO. | NAME OF PART | SPECIFICATION |
|-----|---------------|--|
| 1 | BODY | FORGED BRASS (C49300) |
| 2 | BODY CAP | FORGED BRASS (C49300) |
| 3 | STEM | BRASS ROD (C49300) |
| 4 | BALL | (1) FORGED BRASS (C49300) STRAIGHT BALL |
| 9 | HANDLE | (2) CARBON STEEL |
| 10 | HANDLE NUT | CARBON STEEL |
| 30 | BALL SEATS | PTFE |
| 45 | O-RINGS | FKM |
| 47 | THRUST WASHER | PBT |

NOTES: (1) TEA PLATED
(2) ELECTROPLATED ZINC WITH PLASTIC COVERING

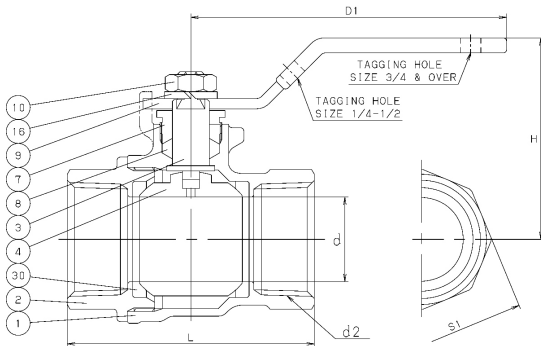
DIMENSIONS - WEIGHTS - QUANTITIES

| d2 SIZE | d | H | D1 | L | L1 | d1 | | APPROX. CARTON NET WT. | QTY |
|------------|------|------|------|------|------|-------|-------|---------------------------|-----|
| | | | | | | Max. | Min. | | |
| 1/4 | .39 | 1.46 | 2.76 | 1.65 | --- | --- | --- | 29 | 120 |
| 3/8 | .39 | 1.46 | 2.76 | 1.65 | 1.05 | .506 | .502 | 29 | 120 |
| 1/2 | .59 | 1.57 | 3.15 | 2.68 | 1.13 | .631 | .627 | 29 | 96 |
| 3/4 | .79 | 1.69 | 3.15 | 2.36 | 1.37 | .881 | .877 | 45 | 60 |
| 1 | .98 | 1.97 | 4.33 | 2.83 | 1.64 | 1.132 | 1.128 | 60 | 36 |
| 1 1/4 | 1.26 | 2.17 | 4.33 | 3.31 | 2.00 | 1.382 | 1.378 | 68 | 24 |
| 1 1/2 | 1.57 | 2.56 | 5.90 | 3.62 | 2.35 | 1.633 | 1.628 | 50 | 16 |
| 2 | 1.97 | 2.83 | 5.90 | 4.33 | 2.83 | 2.133 | 2.128 | 71 | 16 |

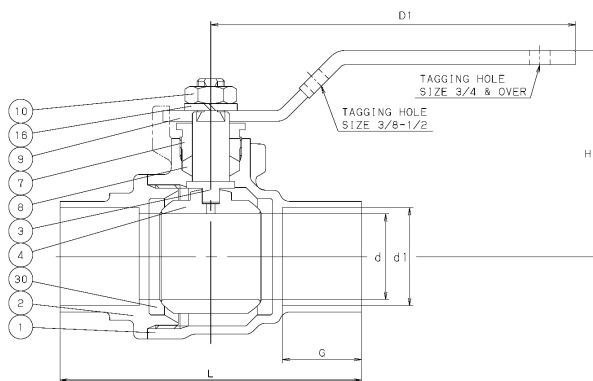
LEAD FREE FORGED BRASS BALL VALVE

Two Piece Body • Full Port
Blowout Proof Stem • Vented Ball • PTFE Seats and Seals
NSF

868 (AKTAFN) THREADED (1/4"-2")



869 (CTAFN) SOLDER (3/8"-2")



STANDARDS

| | |
|-------------------|--------------|
| END TO END | KITZ |
| THREADED ENDS | ANSI B1.20.1 |
| SOLDER JOINT ENDS | ANSI B16.18 |
| WALL THICKNESS | KITZ |
| DESIGN | MSS SP-110 |

PRESSURE/TEMPERATURE

600 PSI COLD WORKING PRESSURE

MATERIAL LIST

C49300 - A LEAD FREE BRASS

| NO. | NAME OF PART | SPECIFICATION |
|-----|---------------|---------------------------|
| 1 | BODY | FORGED BRASS (C49300) |
| 2 | BODY CAP | FORGED BRASS (C49300) |
| 3 | STEM | BRASS ROD (C49300) |
| 4 | BALL (Vented) | (1) FORGED BRASS (C49300) |
| 7 | GLAND | BRASS ROD (C49300) |
| 8 | GLAND PACKING | PTFE |
| 9 | HANDLE | (2) CARBON STEEL |
| 10 | HANDLE NUT | CARBON STEEL |
| 16 | SPRING WASHER | CARBON STEEL |
| 30 | BALL SEATS | PTFE |

NOTES: (1) TEA PLATED
(2) ELECTROPLATED ZINC WITH PLASIC COVERING

DIMENSIONS - WEIGHTS - QUANTITIES

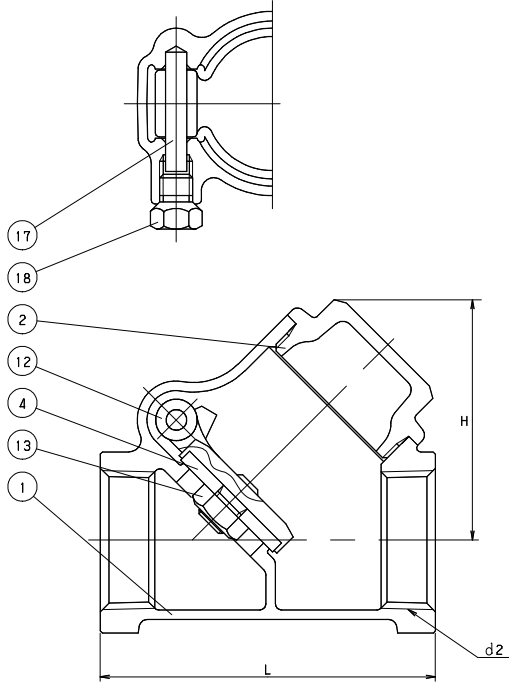
| d2 SIZE | d | H | D1 | L | L1 | d1 | | APPROX. CARTON NET WT. | QTY |
|------------|------|------|------|------|------|-------|-------|---------------------------|-----|
| | | | | | | Max. | Min. | | |
| 1/4 | .39 | 1.54 | 3.23 | 1.61 | --- | --- | --- | 48 | 120 |
| 3/8 | .39 | 1.54 | 3.23 | 1.65 | 1.05 | .506 | .502 | 48 | 120 |
| 1/2 | .59 | 1.65 | 3.15 | 2.09 | 1.13 | .631 | .627 | 52 | 96 |
| 3/4 | .79 | 2.01 | 3.94 | 2.36 | 1.37 | .881 | .877 | 50 | 60 |
| 1 | .98 | 2.28 | 5.12 | 2.83 | 1.64 | 1.132 | 1.128 | 51 | 36 |
| 1 1/4 | 1.26 | 2.52 | 5.12 | 3.23 | 2.00 | 1.382 | 1.378 | 50 | 24 |
| 1 1/2 | 1.57 | 2.87 | 5.91 | 3.62 | 2.35 | 1.633 | 1.628 | 54 | 16 |
| 2 | 1.97 | 3.15 | 5.91 | 4.13 | 2.83 | 2.133 | 2.128 | 72 | 16 |

LEAD FREE CHECK VALVE

CLASS 125 BRONZE

Screw Cap • Integral Seat • PTFE Disc
Y-Pattern Swing Type

822T (AKYRNT) THREADED (1/2" - 2")



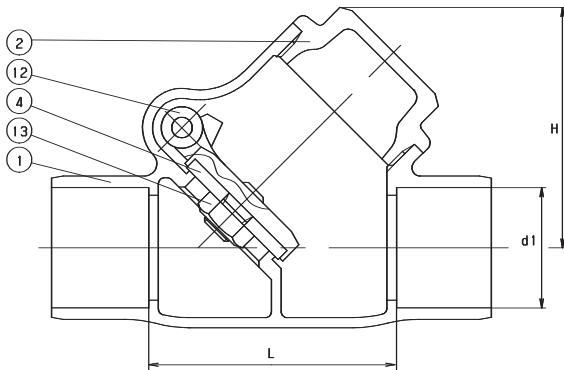
| STANDARDS | |
|-------------------|-------------------|
| END TO END | KITZ |
| THREADED ENDS | ANSI B1.20.1 |
| SOLDER JOINT ENDS | ANSI B16.18 |
| DESIGN | MSS SP-80, TYPE 4 |

| PRESSURE/TEMPERATURE |
|-------------------------------|
| 200 PSI COLD WORKING PRESSURE |

| MATERIAL LIST |
|---------------------------|
| C89530 - LEAD FREE BRONZE |
| C49300 - LEAD FREE BRASS |

| NO. | NAME OF PART | SPECIFICATION |
|-----|---------------------------------------|--|
| 1 | BODY | CAST BRONZE (C89530) |
| 2 | CAP | FORGED BRASS (C49300) |
| 4 | DISC | PTFE |
| 12 | DISC HOLDER | CAST BRONZE (C89530) |
| 13 | DISC NUT (1/2" - 1") (1 1/4" - 2") | STAINLESS STEEL FORGED BRASS (C49300) |
| 17 | HINGE PIN | COPPER |
| 18 | PLUG | BRASS ROD (C49300) |

823T (CYRNT) SOLDER (1/2" - 2")



| DIMENSIONS - WEIGHTS - QUANTITIES | | | | | | | |
|-----------------------------------|------|------|------|-------|-------|--------------------|---------------|
| d2 SIZE | H | L | L1 | d1 | | APPROX. NET WT. | CARTON QTY |
| | | | | Max. | Min. | | |
| 1/2 | 1.50 | 2.20 | 1.64 | .631 | .627 | 0.53 | 96 |
| 3/4 | 1.85 | 2.76 | 1.88 | .881 | .877 | 0.89 | 60 |
| 1 | 2.20 | 3.15 | 2.31 | 1.132 | 1.128 | 1.30 | 48 |
| 1 1/4 | 2.82 | 3.74 | 2.83 | 1.382 | 1.378 | 1.87 | 24 |
| 1 1/2 | 3.03 | 4.33 | 3.21 | 1.633 | 1.628 | 2.70 | 18 |
| 2 | 3.62 | 5.04 | 4.02 | 2.133 | 2.128 | 4.14 | 12 |